

DE70322TC

Marine AIS Class B CSTDMA Demonstration Kit RF Transceiver + Baseband + Protocol Stack

The DE70322T is a complete AIS Class B (IEC 62287-1) technology demonstrator/reference design package that will enable manufacturers to quickly deploy an AIS Class B transceiver into the market.

Features

- AIS Class B transceiver
- Technology demonstrator
- Designed to meet IEC62287-1
- CMX7032—AIS Baseband processor
- SCT7033 - AIS class B CSTDMA protocol processor
- 2W Tx output power
- On-board GNSS receiver
- Market leading performance
- Dual UART interface
- Dual, independent GMSK receiver channels
- USB interface
- Small size (122mm x 55mm)

Applications

- AIS Class B transceiver CSTDMA
- Dual AIS receiver operation

Key Advantages

- Small compact design
- Fast path to AIS Class B transceiver
- Designed to be certification ready
- Complete ready-to-go solution
- Reference design files available
- Low cost solution

This flexible platform provides a new low cost route to developing an AIS class B transceiver, taking it through approval and getting to market in a fast and trouble-free manner.

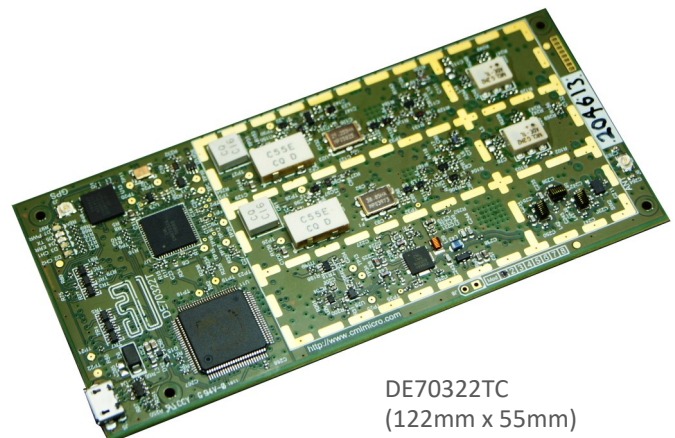
The DE70322T implements a dual channel receiver / single transmitter on 161.975MHz (AIS channel 1) and 162.025MHz (AIS channel 2) with 25kHz channel spacing and 9600bps over-air data rate.

The receivers are programmable across the entire marine band (156.000 to 162.050 MHz) while the transmitter is optimised for use in the upper marine band (160.000 to 162.050 MHz).

The design is a flexible platform based around the CMX7032 Marine AIS baseband processor and SCT7033 AIS protocol processor. The demonstration kit implements the full AIS Class B CSTDMA operation and includes exactTrax™ for enhanced satellite reception of AIS.

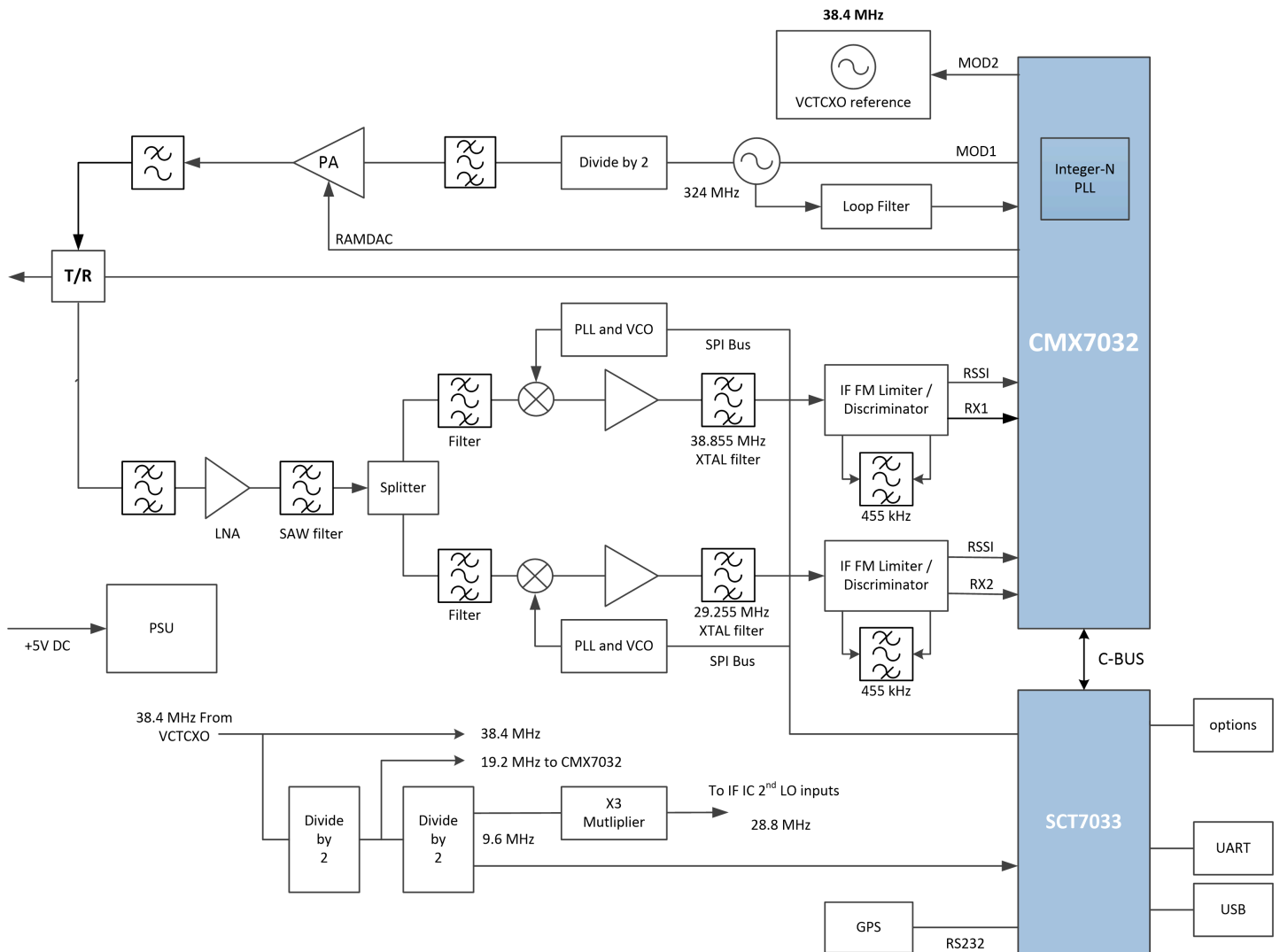
The SCT7033 AIS protocol processor provides factory setup and configuration via a USB-connected PC running an easy-to-use GUI.

The DE70322TC is supplied pre-calibrated and ready for use.



DE70322TC
(122mm x 55mm)

Block Diagram



Ordering Information

- DE70322TC— Marine AIS Class B CSTDMA Demonstration Kit

WHAT TO DO NEXT

Visit: www.cmlmicro.com

Find: [Distributor](#)

CML Microcircuits Benefits

Faster time to market

Developing proven high performance and field tested ASSP ICs, CML is helping engineers to cope with increasing pressure in delivering shorter project design cycles.

Design flexibility

CML's FirmASIC® reconfigurable technology with the use of a Function Image upload enables a single hardware platform to be used for multiple communications systems.

High Quality

CML is qualified to the latest ISO standards and tests 100% of all devices in-house prior to shipment, ensuring customers the highest standards in quality and reliability.

Product Longevity

Designing with CML products, manufacturers are rewarded with longer product life cycles and a stable BOM, ensuring minimum engineering costs and maximum profit.

Low Power

Being at the forefront of low power chip technology, manufacturers can develop smaller equipment with extended battery life.

Superior Support

Internal and field based applications teams worldwide provide focused customer support to ease the development process.

www.cmlmicro.com

United Kingdom
United States
Singapore

Tel: +44 (0) 1621 875500
Tel: +1 336 744 5050
Tel: +65 62888129

email: sales@cmlmicro.com
email: us.sales@cmlmicro.com
email: sg.sales@cmlmicro.com